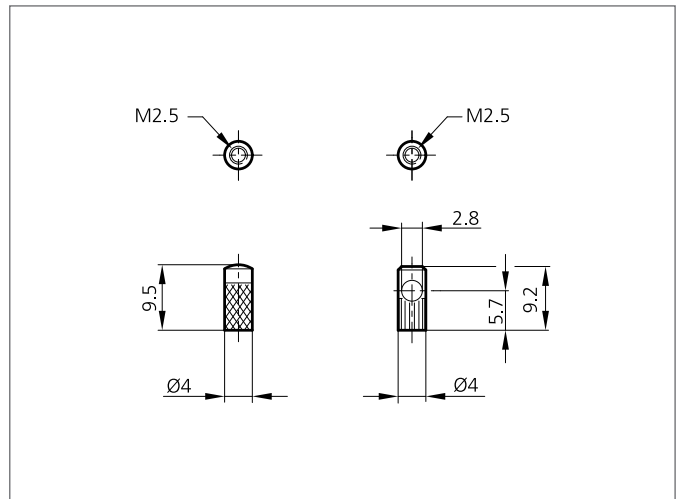


VO M 2.5-90° Auxiliary Optic

- Metal casing
- For beam deflection, installed on the sensor probe of the transmitter



TECHNICAL INFORMATION (typ.)

Size	+20°C, 24V DC
Light outlet	M2,5 (thread)
For	radial
Casing material	Plastic fiber optics
	metal